



T3 Affinity consists of two main extrusions, the Post (AYEP) and Beam (AYEB). These two extrusions can be used in multiple configurations to create a variety of structures and make up the core of our most versatile modular display solutions. Each has been developed to fill a particular design need and can be coupled with a variety of adhoc display accessories and profiles that provide users with even more versatility. This data sheet will give you a brief explanation of the extrusions, what a reference code means and a code index of orientations.

**BEAM CROSS SECTIONS**



**EXAMPLE LABELING ANNOTATION**

<b>AF01</b>	<b>AYEB1200.0</b>	<b>(Beam c/c)</b>
<i>Price list Reference</i>	<i>Profile Code &amp; Centre / Centre Size in mm</i>	<i>Description</i>

**UPRIGHT & POST**



**AFFINITY BEAM**  
(Product Code : AYEB)  
The original seamless horizontal beam. Designed to carry all manner of rigid panel graphics and act as a versatile shell scheme framework for the use in conferences and exhibitions.

**AFFINITY POST**  
(Product Code : AYPE)  
The original seamless vertical post. Designed to carry all types of rigid panel graphics and act as a mounting platform for various adhoc display accessories.

T3 Affinity also consists of two supplementary profiles and two functional accessory profiles. These provide the T3 Affinity solution with extra design options when it comes to creating solutions particularly with retail and exhibition projects. The data sheet will all provide a brief explanation of the profiles/extrusions and their intended use.

**TWIST LOCK - AYEBTL**  
An adjustable Beam which can be used to strengthen and create Retail opportunities for POS.



**CABLE TIDY - AYPCT**  
Designed to allow for cables and wiring to be neatly managed and hidden, giving your Affinity displays a clean finish.



**SLIDING DOOR - AYPST**  
Designed to allow semi rigid panels to be slide directly onto the top edge of the T3 affinity beam.



**19MM POLE - AYER19TC**  
Designed to allow for banner graphics to be seamless integrated into a T3 Affinity display.



**25MM POLE - AYER25TC**  
Designed to create clothing rails on a T3 Affinity display. Ideal for retail and POS displays.



## WHAT IS CENTRE TO CENTRE (c/c)?

### WHAT IS CENTRE TO CENTRE (C/C)?

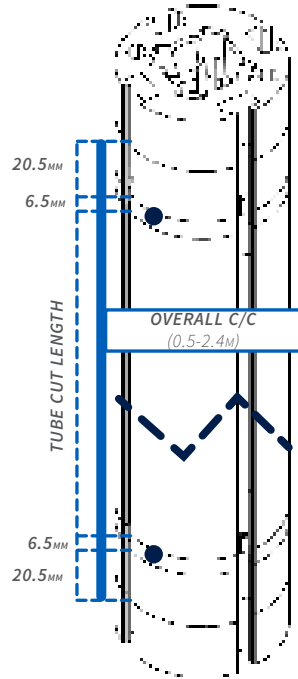
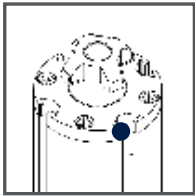
T3 Affinity has the same centre to centre dimensioning as T3 Frame, this is to allow easy integration when combing both systems (includes T3Litebox). T3Affinity has two main sizes to consider, one for the Post and the other for the Beam. The illustration below shows where the c/c dimension is measured:

#### POST C/C

The Post centre to centre is measured from each T3 Affinity Connector Centre **Horizontally**. This includes x2 bayonets and the cut tube. The Bayonet for the Post (AYA3002) is measured at 6.5mm in Height.

#### POST CUT TUBE SIZE FORMULA:

Connector Height (41mm) + x2 Bayonet = 41 + 13 = 54 (Total to subtract from c/c) (Your c/c size in mm) - 54 = **Cut Size**

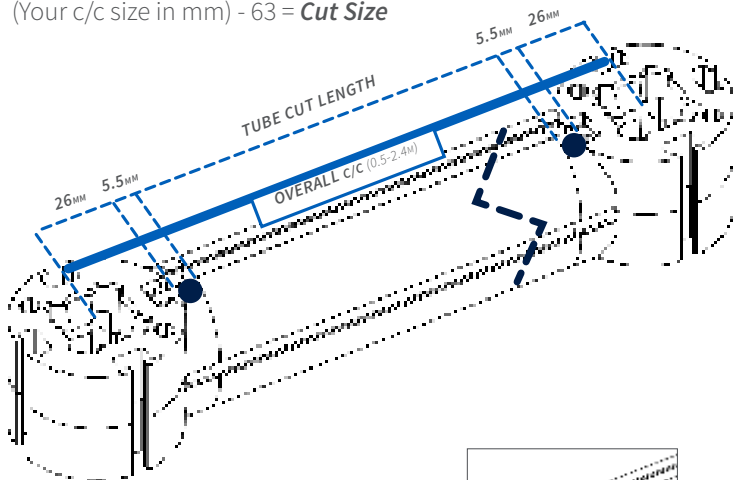


#### BEAM C/C

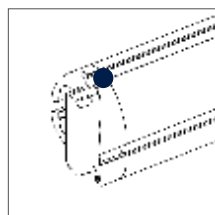
The Beam centre to c/c is measured from each T3 Affinity Connector Centre **Vertically**. This includes x2 bayonets and the cut tube.

#### BEAM CUT TUBE SIZE FORMULA:

Connector Width (52mm) + x2 Bayonet = 52 + 11 = 63 (Total to subtract from c/c) (Your c/c size in mm) - 63 = **Cut Size**



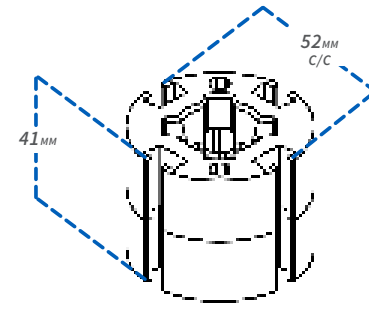
The Bayonet for the Beam (AYA3001) is measured at 5.5mm in Width at the top edge.



## CORE COMPONENTS

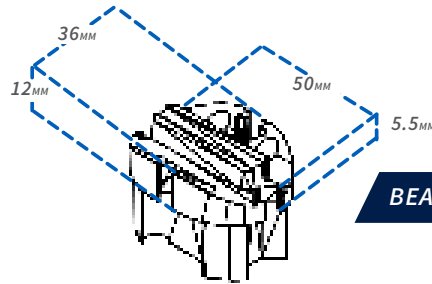
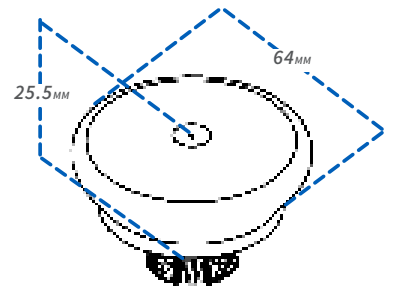
### CORE COMPONENT SIZES

T3 Affinity consists of 5 main components excluding the tube. The sizes for each contribute to the overall centre to centre measurement illustrated to the left. The sizes below provide a reference when creating overall dimensions and adjusting tubes for custom measurements. The T3 Adaptor has also been included to create a reference for combining T3 affinity with T3Frame. (Sizes excluding Connection Extrusion).



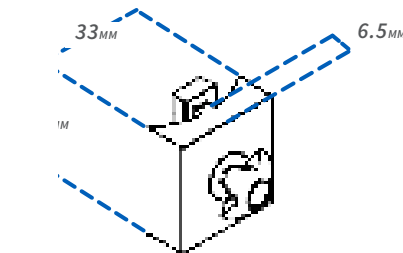
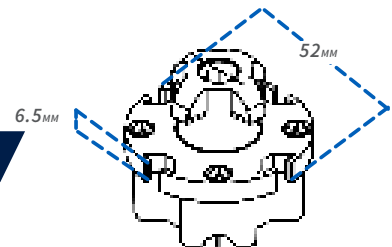
CONNECTOR - AYA1001

POST CAP - AYA1003



BEAM END FITTING - AYA3001

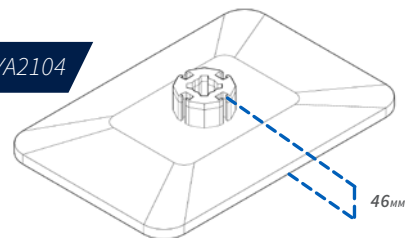
POST END FITTING - AYA3002



T3 ADAPTOR - AYA1004

BASE ASSEMBLY / FOOT - AYA2104

(All Bases / Feet are measured to the same fixed height of 63.5mm)



Please use our T3Affinity centre to centre reference sheet for more information on all our stock profile lengths including total dimensions.