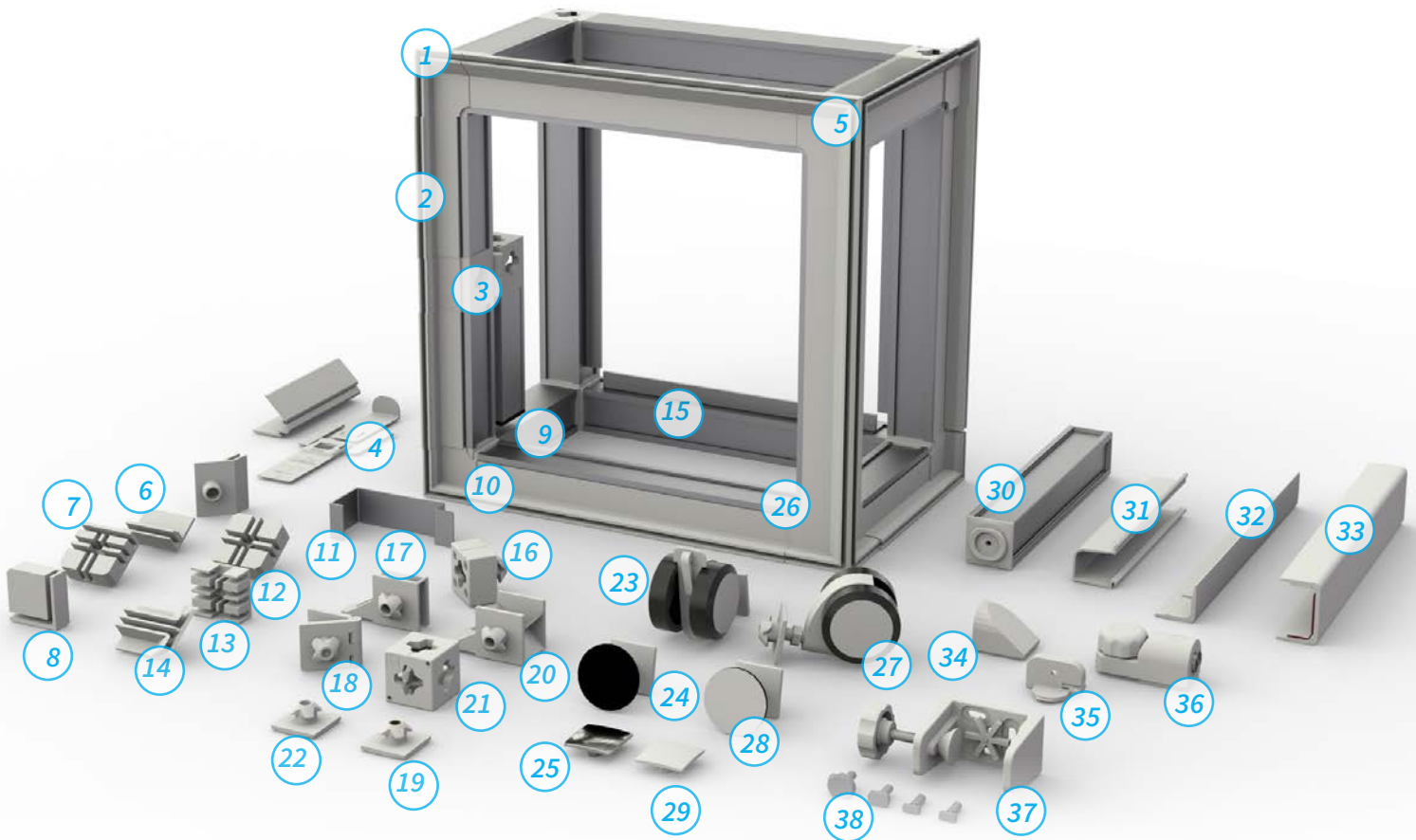




## GET A BETTER UNDERSTANDING OF T3FRAME

If you want to know more about T3 Systems and all our solutions, why not order one of our T3 Kits. They will allow you to get a hands on feel for the modular framework systems that are changing the industry. The kit provides an uncomplicated, comprehensive understanding of how our various patented T3 System products work as well as introducing some of the main components.

The T3 Demo Kit is perfect for showcasing the T3 Frame system. It allows for a deeper understanding of just what the framework is able to achieve, the simple mechanics behind the patented twist-lock assembly and the unlimited versatility that this framework provides to its users.



- |  |   |   |
|--|---|---|
| 1. SILVERLITE 45° INSERT A (CHFS45°A)        | 15. CHANNEL PANEL/ SHELF INSERT (CHPSC)   | (FA40T)   |
| 2. CHANNEL FABRIC SILVERLITE (CHFSC)         | 16. TUBE EXTENDER 19MM (CONTE-19MM)       | 29. CONNECTOR CAP PLAIN (CAP)                             |
| 3. HINGE PROFILE (PRODUCT CODE)              | 17. DOUBLE JOINER 14MM (DJ14)             | 30. CHANNEL TWIST LOCK END FITTING (CHEFSTL)              |
| 4. GRAPHIC HANGER (GHP)                      | 18. HINGE FOR CONNECTOR (HNG)             | 31. CHANNEL MULTIUSE INSERT (CHMUIIC)                     |
| 5. SILVERLITE 45° EDGE (CHFS45°E)            | 19. AIRFRAME END FITTING (AFEF5)          | 32. 'L' PLASTIC EDGING (EDGLP)                            |
| 6. FABRIC SILVERLITE INFILL EDGE (CHFS)      | 20. DOUBLE JOINER 30MM (DJ30)             | 33. 'U' PLASTIC EDGING (EDGUP)                            |
| 7. CHANNEL FABRIC INFILL T (CHFIT)           | 21. CONNECTOR (CON)                       | 34. CHANNEL SHELF SUPPORT FIXED (CHSSF)                   |
| 8. CHANNEL FABRIC INFILL CORNER (CHFIC)      | 22. FUSION END FITTING (FNEFS)            | 35. CHANNEL SHELF SUPPORT TWIST IN (CHSST)                |
| 9. STOP END (AIRFRAME ONLY) (AFSEB/G)        | 23. 50MM WHEEL WITH BRAKE STATIC. (FWB50) | 36. CHANNEL SHELF SUPPORT ADJUSTABLE (CHSSA)              |
| 10. FABRIC SILVERLITE INFILL CORNER (CHFSIC) | 24. FOOT ADJUSTABLE 38MM STATIC (FA38S)   | 37. T3 SHELL CLAMP (SHCLMP)                               |
| 11. TUBE CLAMP (STEEL SPRUNG) (TCLMP)        | 25. CONNECTOR CAP CHROME (CAPCH)          | 38. T3 SHELL CLAMP LOCKING INSERTS (SMALL, MEDIUM, LARGE) |
| 12. CHANNEL FABRIC INFILL CROSS (CHFIC)      | 26. SILVERLITE 45° INSERT A (CHFS45°A)    |   |
| 13. CHANNEL FABRIC INFILL WRAP (CHFIIW)      | 27. 50MM WHEEL UNBRAKED STATIC (FWN50)    |   |
| 14. SILVERLITE 45° INSERT T (CHFS45°T)       | 28. FOOT ADJUST 40 TILTGLIDE STATIC       |   |

# FEATURES

Not only does our Demo Kit include all of the parts you need to showcase the T3 System Range, it also includes various Graphic materials to showcase the feasibility and practicality of finishing.



FABRIC FRONT & SIDE COVER



ROLL-UP REAR



SEMI-RIGID INTERNAL PANEL



**FREE USB WITH CONTENT**

## SAMPLE KIT

A simple yet informative alternative to T3 Demo kit. Includes a Square T3 Frame, Infills, USB & graphics.



**DID YOU KNOW?**

