

T3 LITEBOX

T3 LITEBOX DATA SHEETS - 2M x 2M UNIT SPECIFICATIONS

The 2M x 2M T3 Litebox is a cost effective solution with a focus on simple installation by using full length profiles.

LB2020-A(S)

2M X 2M T3 LITEBOX (T3 FRAME & T3 AFFINITY)

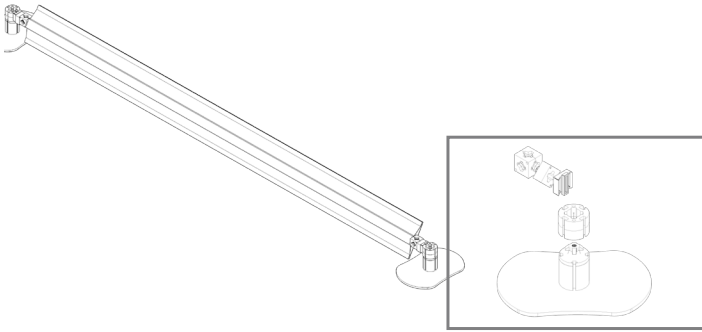
1. Post Connector Cap. Fits into the connector and creates a seamless finish on your T3 Litebox display
2. T3 Litebox extrusion, allows for easy mouting of silicon edged textile graphics
3. Tube extender. Creates extra width for the connection between the Affinity and Litebox profiles. Simple twist-lock application.
4. Base support plate. Provides the lightbox with maximum stability. Provided in varying sizes according to the dimensions of your display.
5. T3 Adaptor. Allows for T3 Affinity posts to be added to T3 Litebox system. Combination adds to flexibility of design and accessories
6. Post Connector Rigidiser. Fits into the channel of the connector and base plate. Provides stability to structure.
7. Notched Channel fabric litebox edge. Fits directly into bayonet hole of corner T3 Connectors.

PARTS LIST

CHT1967 LB ~LB~	8
CHILBIC	7
CHLBIC-KNOTCH-	1
CHLBIE-	8
CON Connector	4
CONTE	4
EXT WIRE M_F (465mm)	4
LD24V200W-	1
LS24V05L-	16
Light CLIP -	32
AYA-4020-rigidiser-	4
AYA1001-CNTR--	4
AYA1002-PSTCAP-	2
AYA1004-T3ADPTR-	4
AYA2003-BASESML-	2
AYEP1967-POST-	2



STEP 1

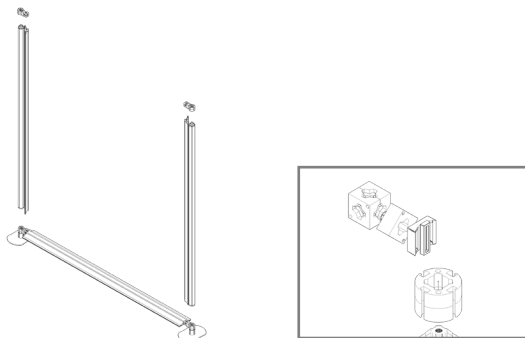


Set the T3 Affinity base plates the profile distance away from each other. Take the T3 Affinity connector and twist-lock it into place on the bayonet of the base plate.

Repeat step Twist-Lock a T3 Adaptor and tube extender together and then slide bayonet into the channel facing opposite base plate of the T3 Affinity connector.
Mirror this assembly for the second base plate.

Take base Litebox profile, twist-lock a T3 Connector into either end of the profile and then twist-lock into tube extenders on each base plate.

STEP 2

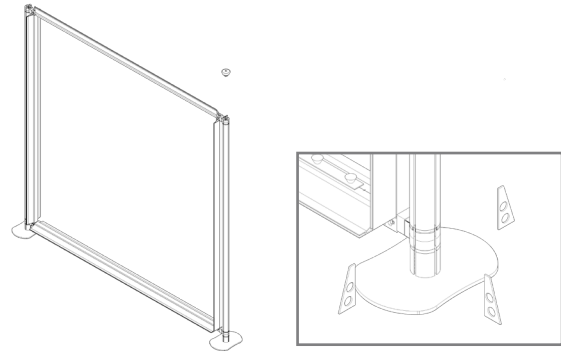


Take T3 Affinity post and twist - lock into the T3 Affinity connector on base plate. Also twist lock a T3 Affinity connector onto opposite end on post.

Take one of the two long t3 Litebox profiles and place the end bayonet into T3 Connector on the end of the base T3 Litebox profile without twist-locking.

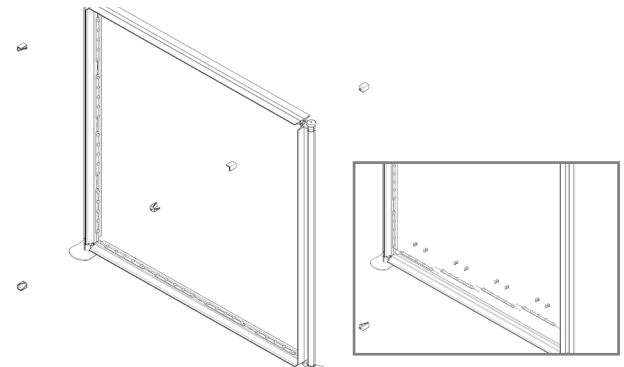
Repeat step and slide into T3 Affinity connector while matching with the T3 Connector with the bayonet on the T3 Litebox profile. This locks it into place. This process is then mirrored on the opposite side.

STEP 3



Take your last T3 Litebox profile and place end bayonet into the top tube extenders and then twist-lock to secure it into place. Take post connector rigidizers and fit them into the exposed channels of the base plate and connector. This provides extra stability to the structure.

STEP 4



Take the Notched Channel fabric litebox corner insert and place it in the corner where you will be connecting the lightbox to your drive and power source. Then take the remaining 7 Channel fabric litebox corner inserts and fit them into the exposed T3 Connector other openings,

Finish off your structure by taking two T3 Affinity post end caps and twist lock them into the tops of the T3 Affinity posts.

Your structure is now ready for its graphics.