

T3 LITEBOX

T3 LITEBOX DATA SHEETS - LB1020-(S)

The 1M x 2M T3 Litebox is one of the most versatile lightbox solutions available. Designed with split profiles below 1200mm, it allows for easy storage and transportation to and from events. Make use of one of our custom designed roller bags to make improve your display presentation and delivery.

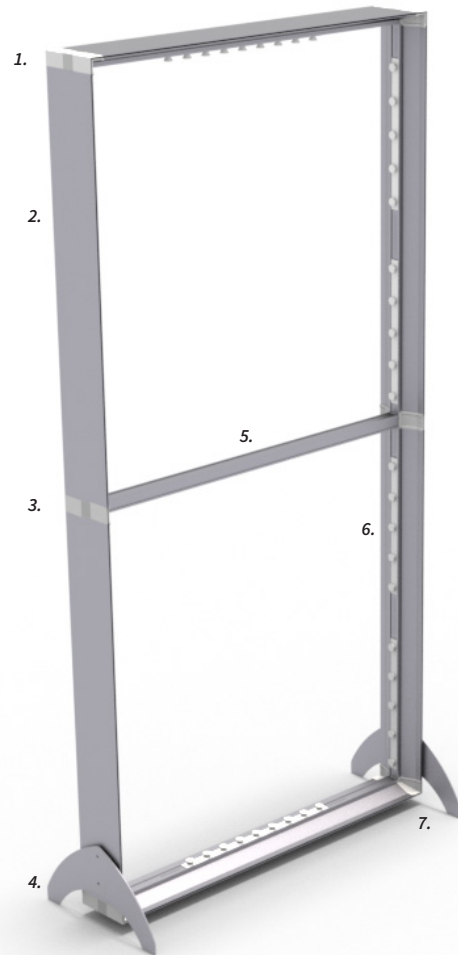
LB1020(S)

1M X 2M T3 LITEBOX (SPLIT T3 FRAME ONLY)

1. Channel fabric litebox insert corner. Fits directly into the bayonet hole of the corner T3 Connectors.
2. T3 Litebox extrusion, allows for easy mouting of silicon edged textile graphics
3. Channel fabric litebox edge. Fits directly into the bayonet hole of the edge T3 Connectors.
4. ESP, end side plate. Mouted to the frame using M8 holes in the frame
5. T3 Frame Channel profile. Provides extra stability to the display as well as another mounting platform for LED lights.
6. LED stcik lights. Provide a bright, white illumination for your displays. Fit directly into the channel of the T3 Litebox profile
7. Notched Channel fabric litebox edge. Fits directly into bayonet hole of coner T3 Connectors. It is used to create a seamless connection between your Transformer and LED stick lights

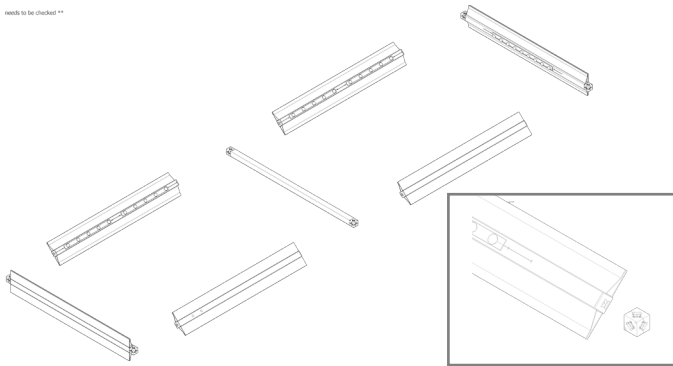
PARTS LIST

CHT0967 LB ~LB~	4
CHT0967 LB~LB~ <small>M8 HOLES</small>	2
CONTE	6
CHLBIC-	8
CHLBIE-	4
CON Connector-	10
EndSidePlate	2
LIGHT CLIP-	12
LIGHT Stick-	6
SCLMPI-	2
Transformer -	1



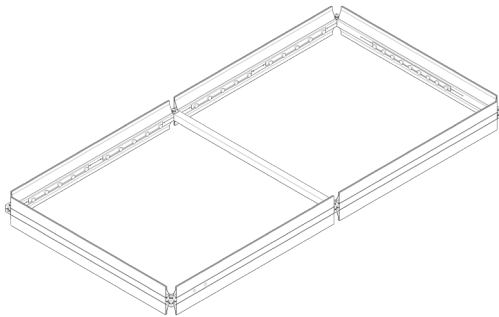
STEP 1

needs to be checked **



Take a T3 Litebox profile and twist-lock a T3 Connector to either end of the profile. This becomes your base of your structure. Lay out the components of your T3 Litebox in a similar fashion. This will provide you with a loose version of your structure. Make sure that the profiles that have the M8 holes are both situated at the left and right corners of the base of the structure.

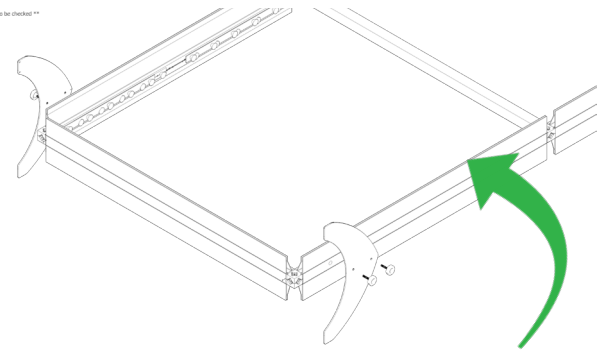
STEP 2



Proceed to assemble your T3 Litebox by fixing a profiles' bayonet into another's T3 Connector and then twist-locking a T3 Connector into the opposite end. Take the empty Channel profile and fixing it to the two middle connectors of your T3 Litebox

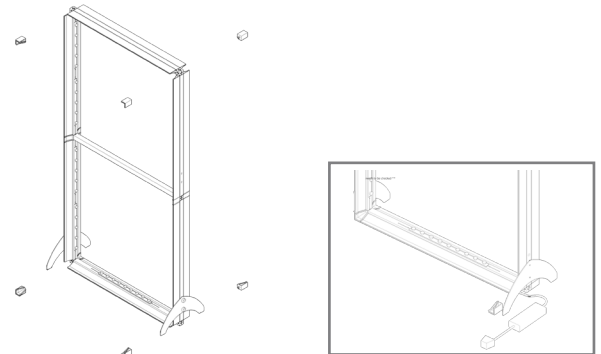
STEP 3

needs to be checked **



Identify the profiles with the M8 holes. Take your end side plates (ESP) and mount them to the profile by inserting both bolts into the holes of the profile. This is the base of your structure. Once the ESP have been secured lift your display onto the plates. Then revert your T3 Litebox display into its standing position.

STEP 5



Take the Notched Channel fabric litebox corner insert and place it in the corner where you will be connecting the lightbox to your drive and power source. Then take the remaining 7 Channel fabric litebox corner inserts and fit them into the exposed T3 Connector other openings.

Take the Notched Channel fabric litebox corner insert and place it in the corner where you will be connecting the lightbox to your drive and power source. Then take the remaining 7 Channel fabric litebox corner inserts and fit them into the exposed T3 Connector other openings.



INFO

Assembled in under 10 minutes.



CALL

+44 (0)208 803 4469



EMAIL

Sales@tecnadisplay.com

