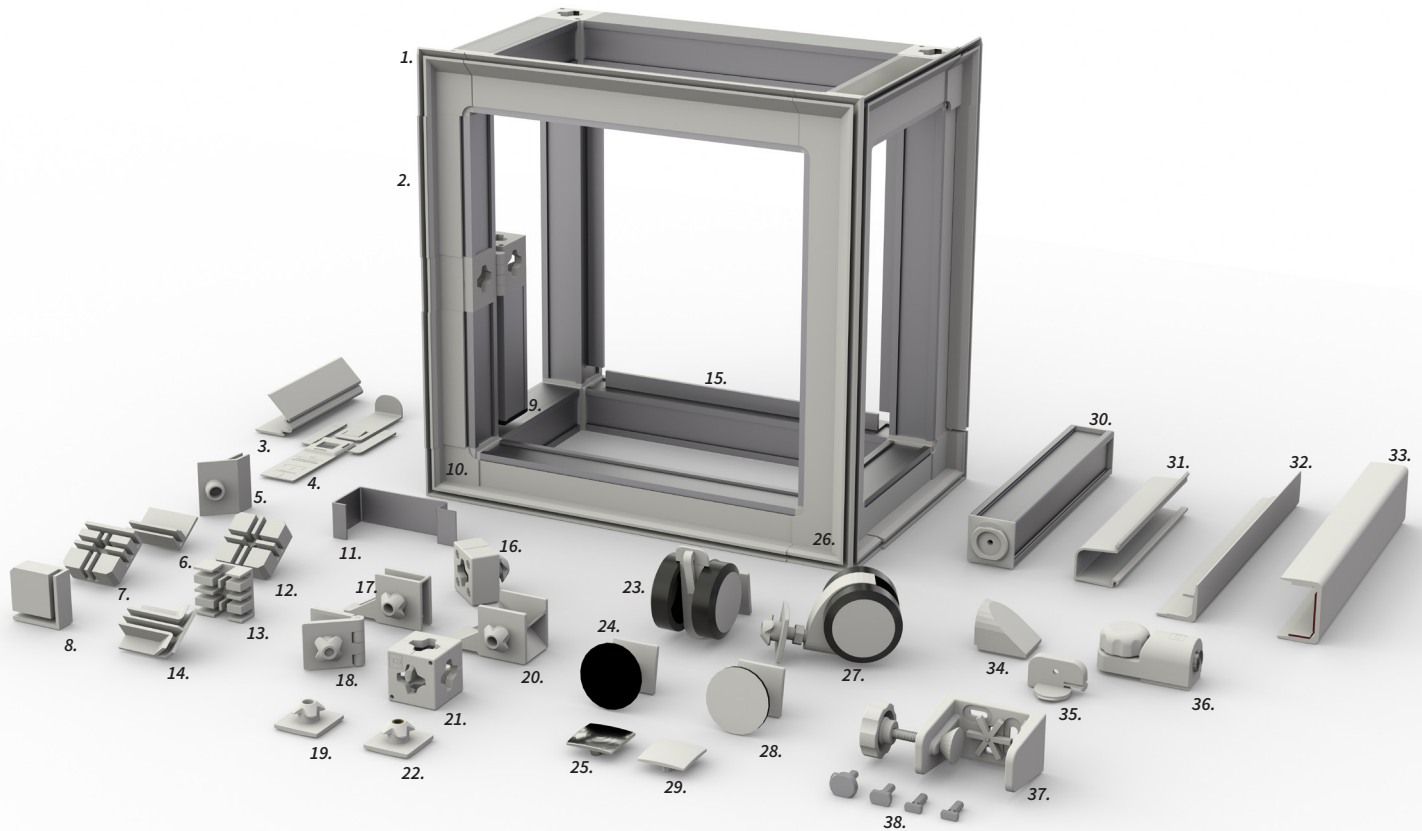


# T3 DEMO KIT

T3 FRAME DATA SHEETS - DEMO KIT PARTS LAYOUT



## GET A BETTER UNDERSTANDING OF T3 SYSTEMS.

GET A BETTER UNDERSTANDING OF THE T3 SYSTEMS' SOLUTIONS  
If you want to know more about T3 Systems and all our solutions, why not order one of our T3 Kits. They will allow you to get a hands on feel for the modular framework systems that are changing the industry. The kit provides an uncomplicated, comprehensive understanding of how our various patented T3 System products work as well as introducing some of the main components.

The T3 Demo Kit is perfect for showcasing the T3 Frame system. It allows for a deeper understanding of just what the framework is able to achieve, the simple mechanics behind the patented twist-lock assembly and the unlimited versatility that this framework provides to its users.

1. SILVERLITE 45° INSERT A (CHFS45°A)
2. CHANNEL FABRIC SILVERLITE (CHFSC)
3. HINGE PROFILE (PRODUCT CODE)
4. GRAPHIC HANGER (GHP)
5. SILVERLITE 45° EDGE (CHFS45°E)
6. FABRIC SILVERLITE INFILL EDGE (CHFS)
7. CHANNEL FABRIC INFILL T (CHFIT)
8. CHANNEL FABRIC INFILL CORNER (CHFC)
9. STOP END (AIRFRAME ONLY) (AFSEB/G)
10. FABRIC SILVERLITE INFILL CORNER (CHFSIC)
11. TUBE CLAMP (STEEL SPRUNG) (TCLMP)
12. CHANNEL FABRIC INFILL CROSS (CHFIX)
13. CHANNEL FABRIC INFILL WRAP (CHFIW)
14. SILVERLITE 45° INSERT T (CHFS45°T)
15. CHANNEL PANEL/ SHELF INSERT (CHPSC)
16. TUBE EXTENDER 19MM (CONTE-19MM)
17. DOUBLE JOINER 14MM (DJ14)
18. HINGE FOR CONNECTOR (HNG)
19. AIRFRAME END FITTING (AFEFS)
20. DOUBLE JOINER 30MM (DJ30)
21. CONNECTOR (CON)
22. FUSION END FITTING (FNEFS)
23. 50MM WHEEL WITH BRAKE STATIC. (FWB50)
24. FOOT ADJUSTABLE 38MM STATIC (FA38S)
25. CONNECTOR CAP CHROME (CAPCH)
26. SILVERLITE 45° INSERT A (CHFS45°A)
27. 50MM WHEEL UNBRAKED STATIC (FWN50)
28. FOOT ADJUST 40 TILTGLIDE STATIC (FA40T)
29. CONNECTOR CAP PLAIN (CAP)
30. CHANNEL TWIST LOCK END FITTING (CHEFSTL)
31. CHANNEL MULTIUSE INSERT (CHMUIC)
32. 'L' PLASTIC EDGING (EDGLP)
33. 'U' PLASTIC EDGING (EDGUP)
34. CHANNEL SHELF SUPPORT FIXED (CHSSF)
35. CHANNEL SHELF SUPPORT TWIST IN (CHSST)
36. CHANNEL SHELF SUPPORT ADJUSTABLE (CHSSA)
37. T3 SHELL CLAMP (SHCLMP)
38. T3 SHELL CLAMP LOCKING INSERTS ( SMALL, MEDIUM, LARGE)



CALL

+44 (0)208 803 4469



EMAIL

Sales@tecnadisplay.com

